

# LUNA BIANCA™

ORBITA COLLECTION



**Designers** ARCADESTUDIO and UNICA

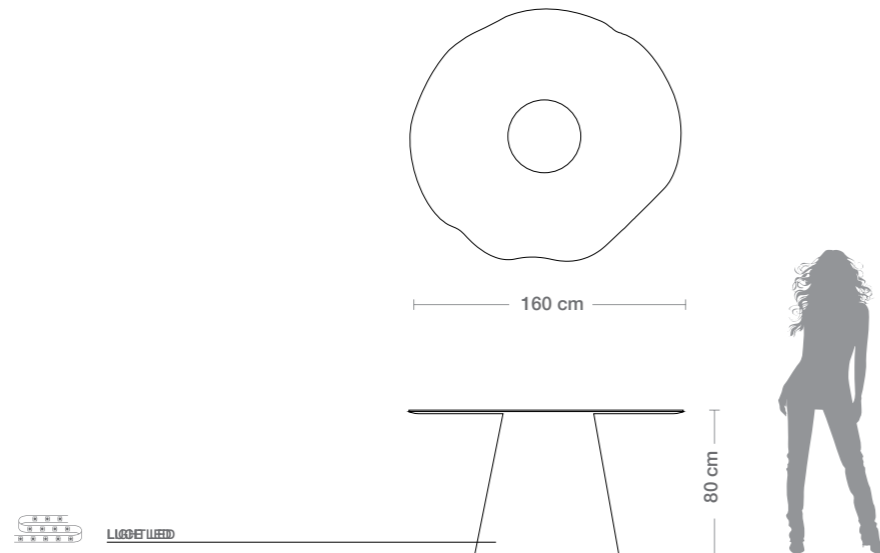
**Product features** Table with extra-clear, laminated, shaped glass top, thickness 12 mm, decorated with only *Trilli Effect* (golden powder), possibility to add white painting.

Stainless steel double structure, thickness 2 mm, wooden core, with matt white painting on the outside and gold colored leaf finishing on the inside.

Possibility of internal led lighting.

**Dimensions** L. 160 cm W. 160 cm H. 80 cm

**Weight** 197 kg



## Materials and processes

