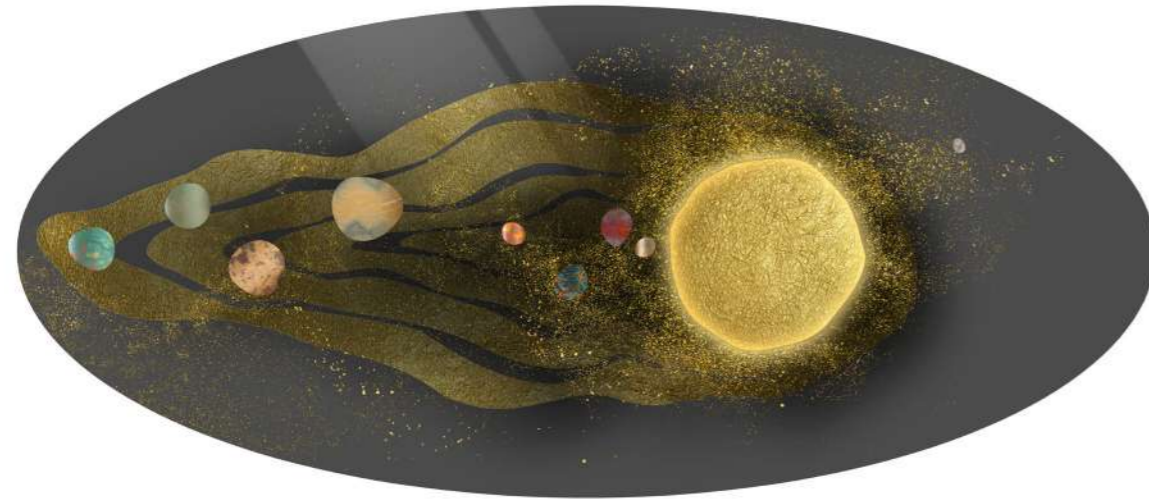


(9 MAY 1126)

ALLINEAMENTI™

"ORBITA" COLLECTION



Designers ARCADESTUDIO and UNICA

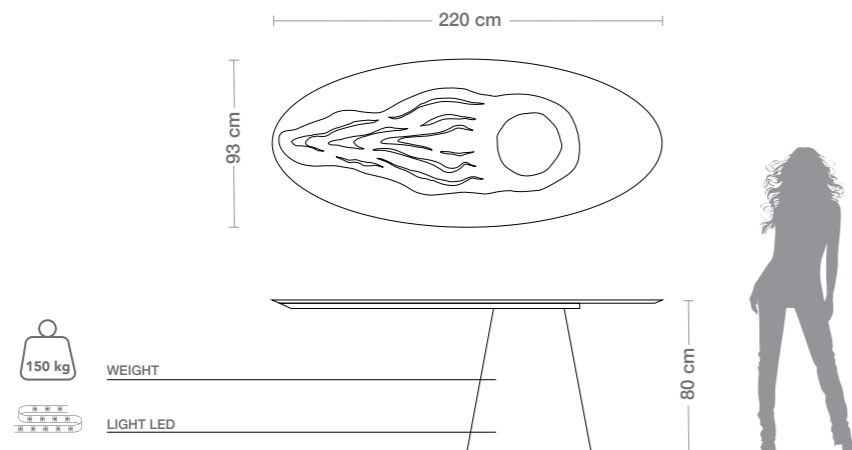
Product features Table with elliptical top in extra-clear, laminated glass, thickness 12 mm., decorated with sandblasting, variegated texture in digital printing on gold coloured leaf, fumè painting, black shades digital printed and *Trilli Effect* (golden powder).

Structure in stainless steel, thickness 5 mm., with matt black paint on the outside and gold coloured leaf finishing on the inside. Aluminum plate, thickness 30 mm., shaped with laser cutting, matt black painting on outer edge and top covered in gold coloured leaf.

Internal led lighting with warm light 15 W, with battery and remote control for on / off.

Dimensions L. 220 cm W. 95 cm H. 80 cm

Weight 150 kg



Top



Trilli Effect



Varied texture in digital printing on gold coloured leaf



Sandblasting

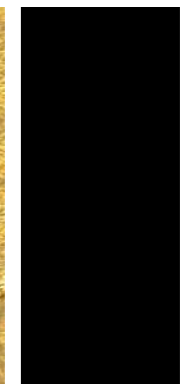


Fumè

Base



Gold coloured leaf



Soft touch matt black paint